

## HD3D/HD3DB

### SUPER HIGH RESOLUTION TRUE DAY/NIGHT (TDN) COLOR INDOOR MINI-DOME CAMERAS

Honeywell's True Day/Night HD3D Series integrates a camera and lens into a single piece, tamper proof, compact unit designed to be surface or flush mounted for fast and easy installation. The HD3D is a True Day/Night camera that automatically switches from color to black and white mode depending upon available light. It uses a removable infrared (IR) cut filter and an optical low-pass filter (OLPF) in black and white mode to guarantee superior image quality at any time of day or night. Setup is quick and easy with easy-to-access switches on top of the camera. The compact surface mount or flush one-piece mount design allows for fast, easy installation and a wall/pendant mount kit is available in off white or black for inconspicuous installation in virtually any application. The housing is designed to easily mount directly to a ceiling or wall, and a 4S adapter plate is supplied with the unit for mounting over an electric box. A service/monitor cable is also included for easy on-site adjustments.

The HD3D incorporates a 1/3" CCD that offers 540 TV lines of crisp, clear horizontal resolution with a minimum illumination of 0.4 lux (or 0.0 lux with external IR illumination). The cameras come equipped with a 2.8 – 10 mm (F1.3) aspherical IR corrected Vari-focal Auto Iris lens to cover a wide range of viewing angles, and picture adjustment after installation is easy with the 3-D axis gimbal that is capable of 360° of pan, 180° of tilt and 360° of horizontal rotation. The HD3D also features a tamper-resistant lockable cover and a "cable management" housing design for installations requiring the video and power connectors to be contained within the housing base.

The HD3D accepts either 12 VDC or 24 VAC (auto sensing) for proper operation and flexible installation. The Backlight Compensation (BLC) and Auto Tracking White Balance (ATW) ensure crisp color images in dark or backlit environments such as windows and doorways. The Automatic Gain Control (AGC) feature increases the signal strength from the camera when scene lighting is low, keeping the picture sharp and viewable.

#### Market Opportunities

The HD3D True Day/Night Series camera is designed for cost effective installations that require the highest image quality possible, where light conditions are less than optimal. It is ideal in commercial or residential sites, daycare centers, retail stores or hospitals – anywhere surveillance must be discreet.

#### Features

- 1/3" Sony Interline CCD
- Super high resolution color: 540 TV lines with mechanical IR cut filter technology
- Single model for surface mount and recessed ceiling applications, 4S adapter plate also supplied
- Tamper resistant dome offers secure installation
- Polycarbonate housing and dome
- Easy to use "cable management" housing design
- Clear dome with liner for discretion with no light loss
- 2.8 – 10 mm (F1.3) IR Corrected Aspherical Vari-focal Auto Iris lens
- Local video output for setup
- 3D - axis gimbal
- Line Lock with phase adjustment (24 VAC)
- Dual 12 VDC/24 VAC voltage
- Housing available in Off White or Black
- Pendant and wall mount kit available



HD3D Series  
shown with  
mount ring for  
surface mount

HD3D Series  
shown without  
mount ring for  
flush mount

# HD3D/HD3DB

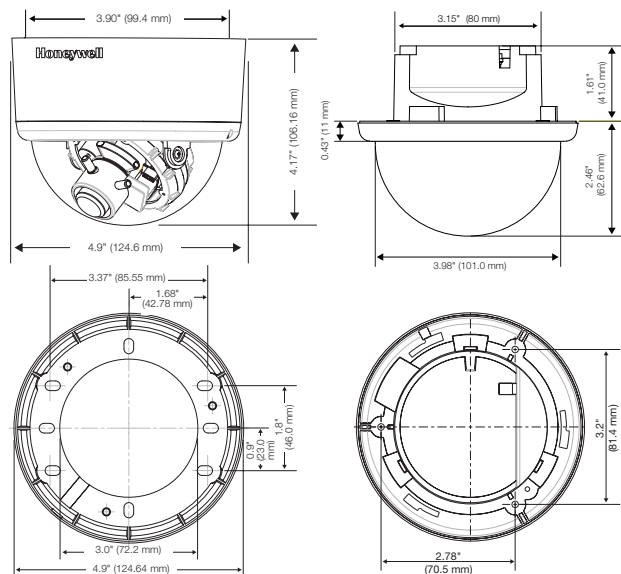
www.honeywellvideo.com

## SPECIFICATIONS

Operational	HD3D, HD3DB	HD3DX, HD3DBX
Video Standard	NTSC	PAL
Scanning System	525/60 lines	625/50 lines (PAL)
Image Sensor	1/3" Sony CCD color image sensor	
Number of Pixels (H x V)	768 x 494 (NTSC)	752 x 582 (PAL)
Minimum Illumination	0.4 lux @ F1.3 (AGC on, 50 IRE) 0.0 lux @ F1.3 (with external IR illumination*)	
Horizontal Resolution	540 TVL	
Video Output	1.0 Vp-p, composite @ 75 Ohms	
Sync System	12 VDC: Internal, 24 VAC: Line lock	
S/N Ratio	50 dB (AGC Off)	
Auto Gain Control	On/off, selectable	
ALC	Auto Iris: DC drive	
Automatic Electronic Shutter	1/60 – 1/100,000 second (NTSC) 1/50 – 1/100,000 second (PAL)	
White Balance	ATW/AWC	
Line Lock Phase Adjust	Adjustable (available only with 24 VAC)	
BLC	On/off, switchable	
Flickerless	On/off, switchable	
Lens Type	2.8 to 10 mm, Vari-focal Auto Iris, F1.3	
Angle of View	Tele: 34.3° (D), 27.4° (H), 20.5° (V) Wide: 129° (D), 100.2° (H), 73.3° (V)	
Electrical		
Input Voltage	12 VDC/24 VAC	
Input Range	11-16 VDC, 17-28 VAC	
Surge Suppression	1.5 kW Transient	
Power Consumption	3.5 W (max)	
Mechanical		
Dimensions (W x H x D)	See Diagram	
Weight	0.66 lb (.3 kg) max	
Construction	Housing: Polycarbonate Dome: Polycarbonate Finish: Matte texture, Off White or Black	
Connectors	Video Output: BNC connector Power Input: (Screw terminal block)	

\*IR Illuminator sold separately.

Environmental	
Temperature	Operating: 14°F to 122°F (-10°C to 50°C) Storage: -4°F to 140°F (-20°C to 60°C)
Relative Humidity	0% to 90% non-condensing
Regulatory	
Emissions	FCC, CE (EN55022)
Immunity	CE (EN50130-4)
Safety	UL60065, EU: 73/23/EEC LVD
Accessories	
Mounts	
HD3-MK	Wall/Pendant Mount Kit, Off White
HD3-MKB	Wall/Pendant Mount Kit, Black
IR Illuminators	
SWIR-AC	Combined Wide and Narrow Sweep, 24 VAC Input
SWIR-DC	Combined Wide and Narrow Sweep, 12 VDC Input
SWIRW-AC	Wide Sweep, 24 VAC Input
SWIRW-DC	Wide Sweep, 12 VDC Input



Ordering	
HD3D	1/3" CCD High Resolution True Day/Night Dome Camera, Off White Housing, 540 TVL, 2.8 - 10 mm VFAI, NTSC
HD3DX	1/3" CCD High Resolution True Day/Night Dome Camera, Off White Housing, 540 TVL, 2.8 - 10 mm VFAI, PAL
HD3DB	1/3" CCD High Resolution True Day/Night Dome Camera, Black Housing, 540 TVL, 2.8 - 10 mm VFAI, NTSC
HD3DBX	1/3" CCD High Resolution True Day/Night Dome Camera, Black Housing, 540 TVL, 2.8 - 10 mm VFAI, PAL

**NOTE:** Honeywell reserves the right, without notification, to make changes in product design or specifications.

### Honeywell Security

Honeywell Video Systems  
2700 Blankenbaker Pkwy, Suite 150  
Louisville, KY 40299  
1.800.796.CCTV  
www.honeywell.com

L/HD3DD/D  
February 2008  
© 2008 Honeywell International Inc.